

Polyethylene bags

Polyethylene bags

Dimension	Épaisseur	Qté/ Bte
8 x 10	2 mil	2500
8 x 18	4 mil	1000
12 x 13	1,75 mil	1000
12 x 18	2 mil	1000
12 x 22	1 mil	2000
14 x 22	1,75 mil	1000
14 x 31	2,25 mil	500

Pin Holes polyethylene bags

Dimension	Épaisseur	Qté/ Bte
10 x 13	1,75 mil	2000
12 x 13	1,75 mil	1000
14 x 22	1,75 mil	1000

Polyethylene gusset bags (Pound bags)

Dimension	Épaisseur	Qté/ Bte
4 x 2 x 10 (2 lbs)	,85 mil	2000
5 x 3 x 14 (5 lbs)	1,75 mil	1000
7 x 3 x 20 (10 lbs)	1,75 mil	1000
8 x 4 x 20 (12 lbs)	1,75 mil	1000
12 x 6 x 26 (20 lbs)	1,75 mil	500
12 x 6 x 30 (25 lbs)	1,75- mil	500

Polyethylene ziplock bags

Dimension	Épaisseur	Qté/ Bte
10 x 14,5 + 1,5 zip	3 mil	1000
13,5 x 18,5 + 1,5 zip	3 mil	750

Polyethylene bags - In Roll

Dimension	Épaisseur	Qté/ Rouleau
16 x 32	2,5 mil	500
36 x 60	1,5 mil	250
39 x 30	1,35 mil	400
42 x 27	1 mil	750

POLYETHYLENE POUCHES

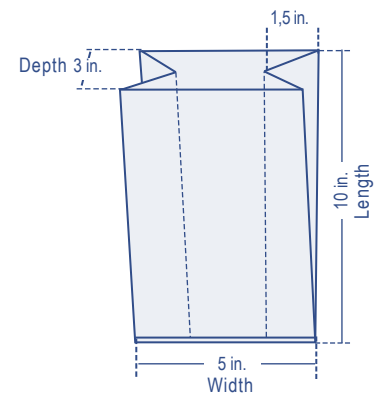
We now carry freezer grade polyethylene bags. Made from F.D.A and C.F.I.A approved virgin resins, these bags are very strong and also offer an excellent barrier to humidity, thus improving on product shelf life.

Custom made according to your specifications or from our list of stock items, with or without printing. You can have them delivered within a few days, even for small orders.

Printables • Custom made

Gusset bag

Example : 5 x 3 x 10



The gusset is a triangle shaped fold on each side of a bag. The gusset is considered the depth of a bag.

Contact our specialists for all your packaging needs.

duropac@duropac.com
www.duopac.com

Polyethylene box liners

Box liner - blue polyethylene

Dimension	Thickness	Qty/ Roll
17 x 12 x 20	1 mil	500

Box liner - clear polyethylene

Dimension	Thickness	Qty/ Roll
16,5 x 12 x 32,5	,85 mil	500
17 x 12 x 20	2 mil	500
18 x 12 x 20	1 mil	1000
25 x 15 x 30	1 mil	500
25 x 15 x 30	2 mil	300
28 x 22 x 78	1.25 mil	100
29 x 15 x 30	1 mil	500
50 x 58 x 100	1.1 mil	100
55 x 46 x 96	2 mil	50

Polyethylene sheets

Dimension	Thickness	Qty/ Roll
30 x 33.5	1 mil	1000
35 x 35	1 mil	1000

Box liner

How to measure a box liner

Example :

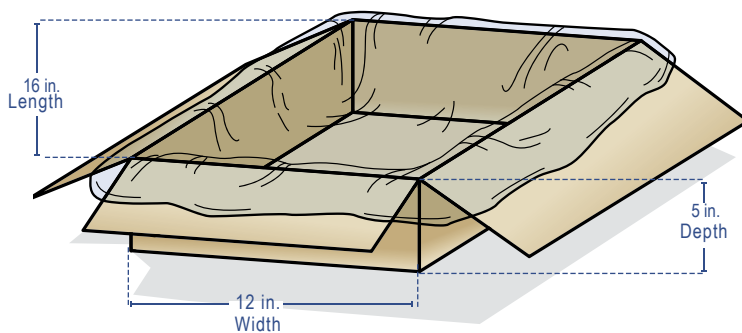
If the size of the box is :
 16" long x 12" wide and
 has a depth of 5".

Take the measure of the length
 of the box (16") and add 2 inches.

The measure of the width of the box (12")
 is the width of the gusset

Add the measurements of the width (12") of
 the box with its depth (5") and add 3 inches
 more or less depending on the requested
 excedent. (12" + 5" + 3")

The dimension of the box liner
 will be 18 x 12 x 20



Contact our specialists for all your packaging needs.

duropac@duropac.com
www.duopac.com

Polyethylene Rack cover



Keep your baked goods clean and sanitary.

These 1.25 mil Polyethylene covers eliminate the need for wrapping products individually.

1.25 mil Polyethylene

28 x 22 x 78

100 units per roll

Contact our specialists for all your packaging needs.

Montréal Tel. 514.234.4720 • Fax 450.444.7615
Québec Tel. 877.362.2552 • Fax 866.744.7615

Mississauga Tel. 905.848.6660 • Fax 866.744.7615
Toll free 1 877.362.2552

duropac@duropac.com
www.duropac.com